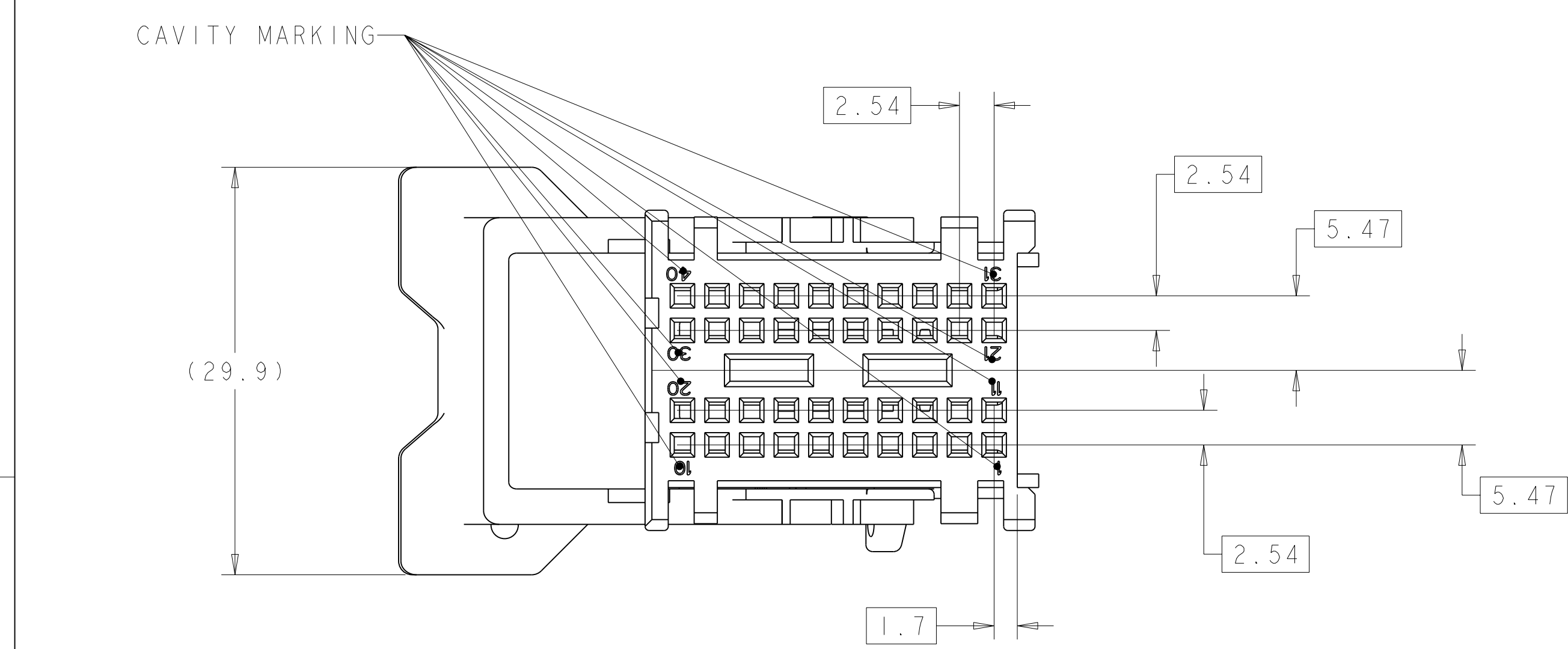
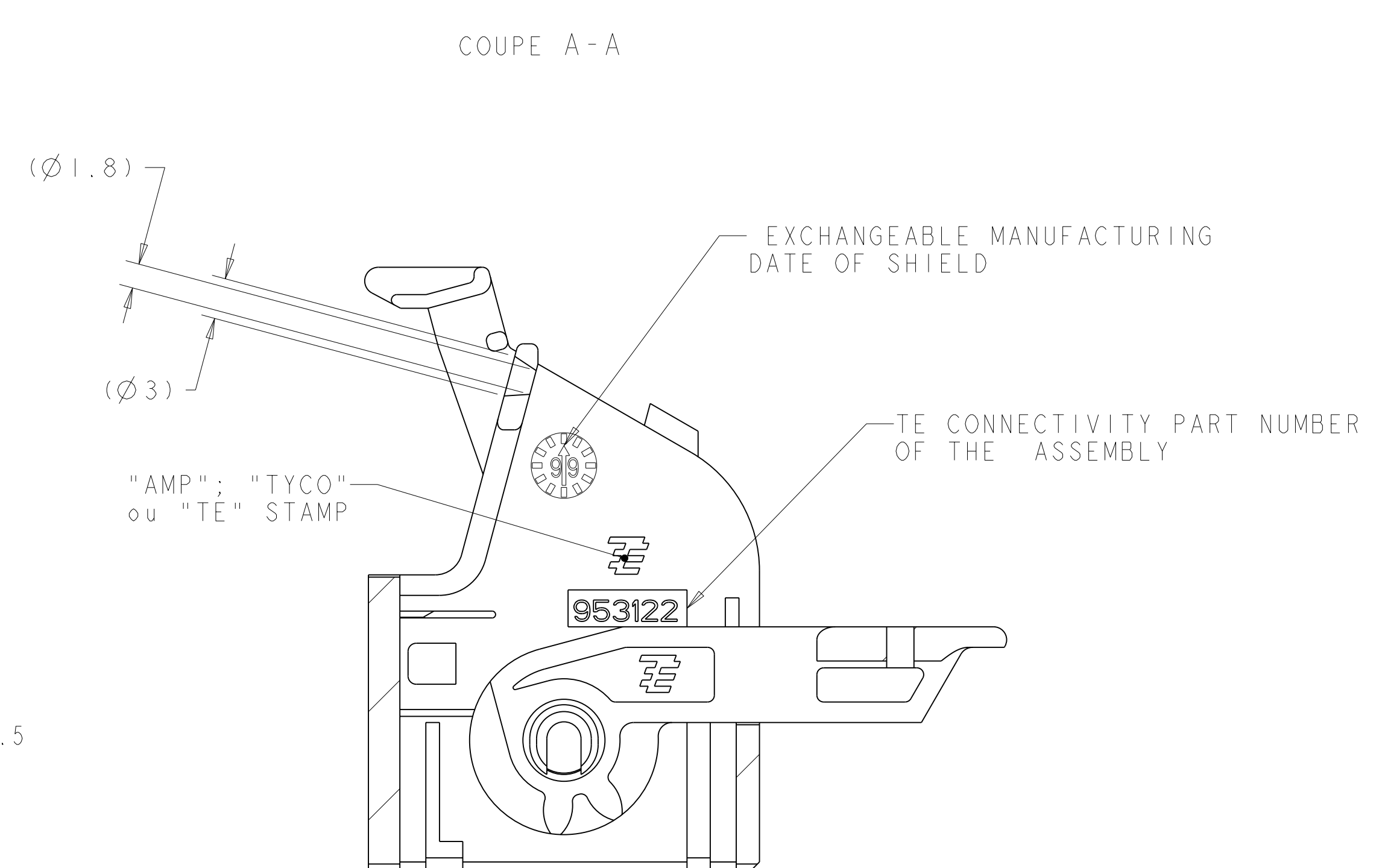
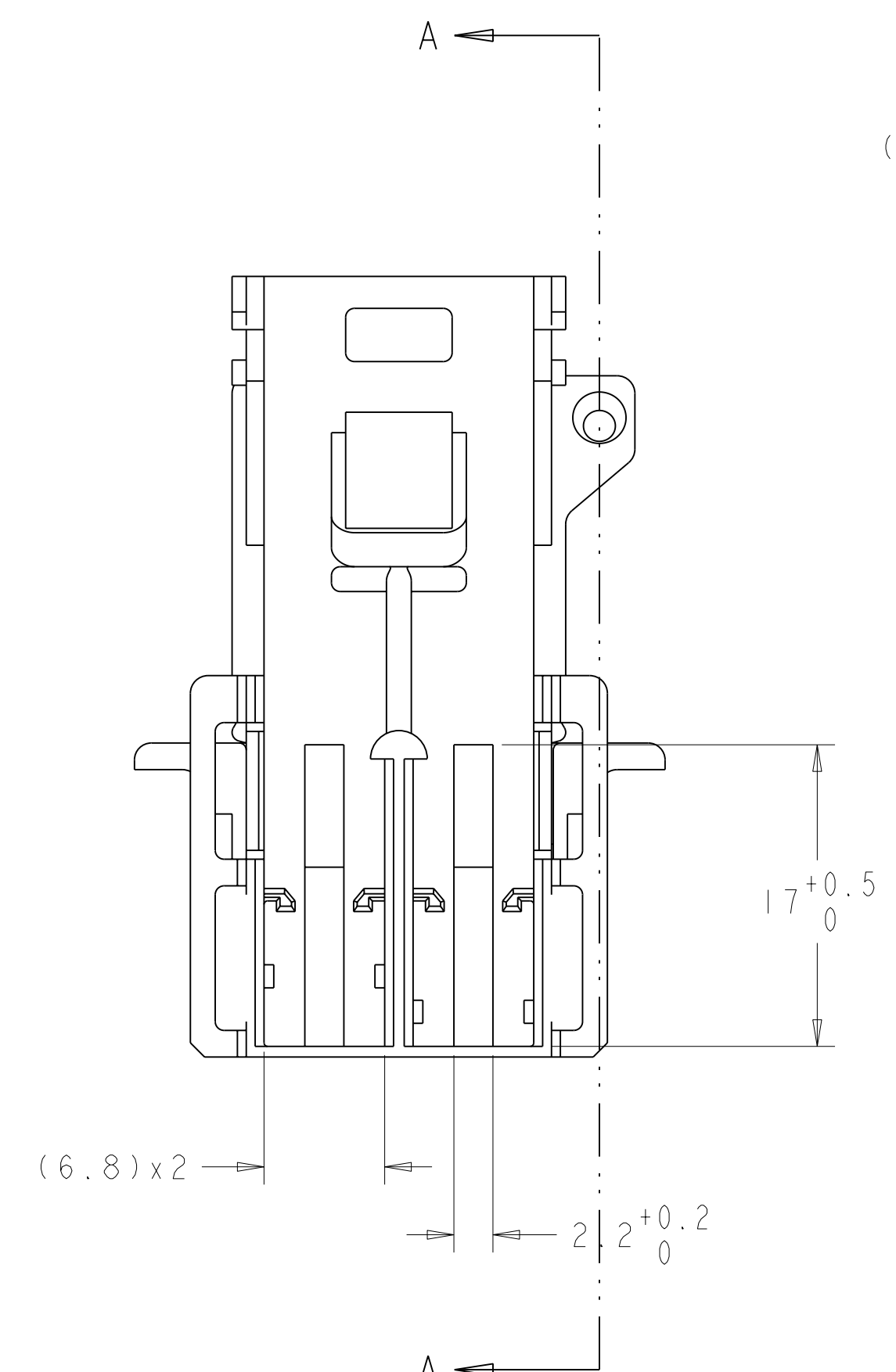
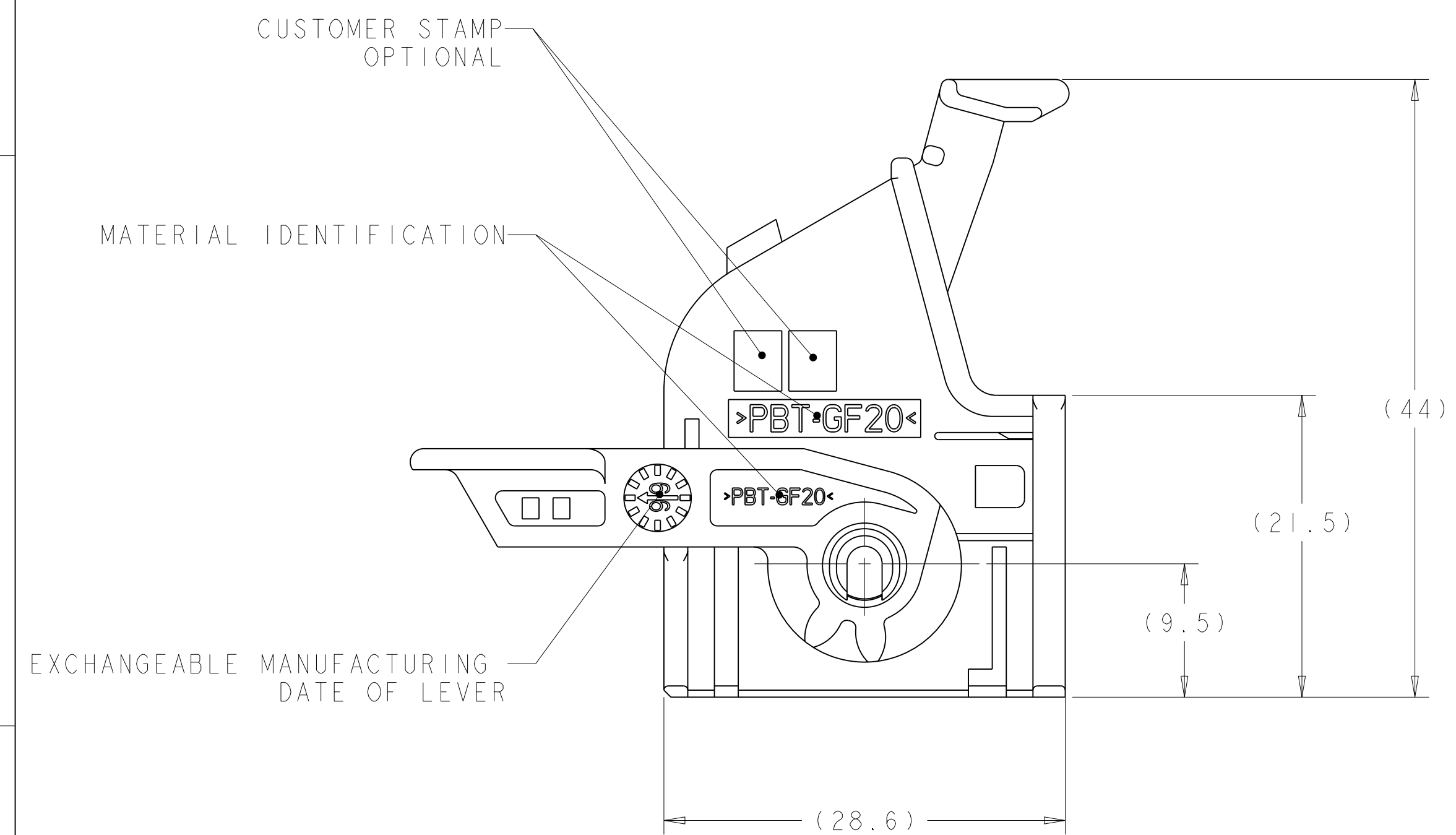
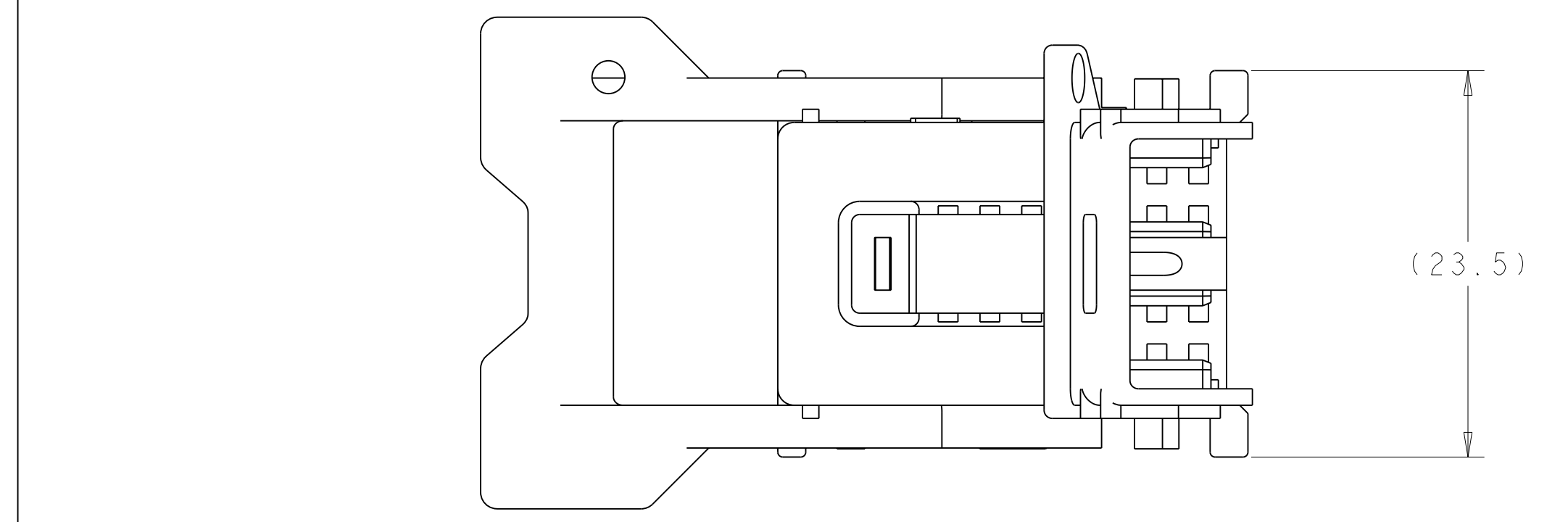


LOC	DIST	REVISIONS					
F	00	P	LTR	DESCRIPTION	DATE	DWN	APVD
		REV		MODIFICATIONS		BESS	APP
		A1		REVISED PER ECO-11-005150	28MAR2011	RK	HMR



Nota:
 PARKAGING FOLLOWING SPEC TE CONNECTIVITY:107-18078 and 107-15368
 PART TO USE WITH:
 SOCKET HOUSING 20 WAYS BROWN REF 953119-3
 SOCKET HOUSING 20 WAYS GREEN REF 953119-1
 CONTACT MQS REF /144969-X; 1379418-X; 1379419-X
 NUMBER MAXI OF WIRE PERMITTED:
 40 WIRES SECTION 0.75mm² (Ø maxi insult 1.9mm)
 RECOMMANDATION SPEC:411-15597

THIS DRAWING IS A CONTROLLED DOCUMENT. CE PLAN EST UN DOCUMENT CONTROLÉ PAR AMP INCORPORATÉ IL EST INTERDIT DE LE REPRODUIRE, COMMUNIQUER OU SERVIR TECHNIQUE D'AMP DE FRANCE POUR OBTENIR LA SEULEMENT REVISION		DWN/DESSINE 08FEB2005 M. POLIFONTE	TE Connectivity	
DIMENSIONS: mm		CHK/VERIFIE 09FEB2005 X. ROULLARD	NAME TITRE	ASSEMBLY COVER 40 WAY MQS CABLE-LOCKING AT 15 DEG.
TOLERANCES, UNLESS OTHERWISE SPECIFIED: TOLERANCES, NON SPECIFIEES: DECIMALES: ±0.2		APVD/APPROUVE 09FEB2005 J. DABIEZ	PRODUCT SPEC SPEC. PRODUCT 108-15178	APPLICATION SPEC SPEC. APPLICATION
MATERIAL MATIERE PBT GF 20	FINISH FINITION -	WEIGHT MASSE APPROX 8.9gr	SIZE FORMAT A1	RESTRICTED TO RESERVE A
CUSTOMER DRAWING		/PLAN CLIENT	UNIQUEMENT POUR REFERENCE	SCALE ECHELLE 2:1
			SHEET FEUILLE 1	OF DE 2
			REV A1	

LOC	DIST	REVISIONS						
F	00	P	LTR	REV	DESCRIPTION MODIFICATIONS	DATE	DWN	APVD
		-	-	-	SEE SHEET 1	-	-	-

953122-1	SHIELD	2	1	BLACK	PBT GF 20	<p>8.4 ± 0.1 ECHELLE 3:2</p>	953122-5	SHIELD	2	1	BLACK	PBT GF 20	<p>8.4 ± 0.1 2.7 +0.1 / -0.2 ECHELLE 3:2</p>
	LEVER	1	1	BLACK	PBT GF 20			LEVER	1	1	BLACK	PBT GF 20	
953122-2	SHIELD	2	1	GREY	PBT GF 20	<p>1.7 ± 0.1 11.2 ± 0.1 ECHELLE 3:2</p>	953122-6	SHIELD	2	1	GREY	PBT GF 20	<p>2.7 +0.1 / -0.2 1.7 ± 0.1 11.2 ± 0.1 ECHELLE 3:2</p>
	LEVER	1	1	BLACK	PBT GF 20			LEVER	1	1	BLACK	PBT GF 20	
953122-3	SHIELD	2	1	WITHE	PBT GF 20	<p>1.2 ± 0.1 1.7 ± 0.1 ECHELLE 3:2</p>	953122-7	SHIELD	2	1	WITHE	PBT GF 20	<p>2.7 +0.1 / -0.2 1.2 ± 0.1 1.7 ± 0.1 ECHELLE 3:2</p>
	LEVER	1	1	BLACK	PBT GF 20			LEVER	1	1	BLACK	PBT GF 20	
953122-4	SHIELD	2	1	BLUE	PBT GF 20	<p>5.6 ± 0.1 1.7 ± 0.1 ECHELLE 3:2</p>	953122-8	SHIELD	2	1	BLUE	PBT GF 20	<p>5.6 ± 0.1 2.7 +0.1 / -0.2 1.7 ± 0.1 ECHELLE 3:2</p>
	LEVER	1	1	BLACK	PBT GF 20			LEVER	1	1	BLACK	PBT GF 20	
TE CONNECTIVITY PART NUMBER	COMPONENT	Rep	Q.	COLOR	MATERIAL	CODING	TE CONNECTIVITY PART NUMBER	COMPONENT	Rep	Q.	COLOR	MATERIAL	CODING

THIS DRAWING IS A CONTROLLED DOCUMENT. CE PLAN EST UN DOCUMENT CONTROLÉ PAR APP INCORPORATED. IL EST INSÉPARABLE DE CE PLAN. CONSTATÉ LE SERVICE TECHNIQUE S'IL Y A CHANGEMENT DE RÉVISION.		DWN/BESSINE 08FEB2005 M. POLIFONTE CHK/VERIFFIE 09FEB2005 X. ROULLARD		NAME ASSEMBLY COVER 40 WAY MOS CABLE-LOCKING AT 15 DEG.	
DIMENSIONS: mm		TOLERANCES, UNLESS OTHERWISE SPECIFIED: mm FRACTIONS DECIMALS ±0.2 ±0.1 ±0.05 ±0.025 ±0.015 ±0.01 ±0.005 ±0.0025 ±0.0015 ±0.001		APVD/APPROUVE J. DAHIC 09FEB2005	
MATERIAL MATIERE PBT GF 20		FINISH FINITION -		WEIGHT MASSE APPROX 8.9gr	
CUSTOMER DRAWING		/PLAN CLIENT		UNIFORMITY SCALE 2:1 SHEET OF 2 REV A1	